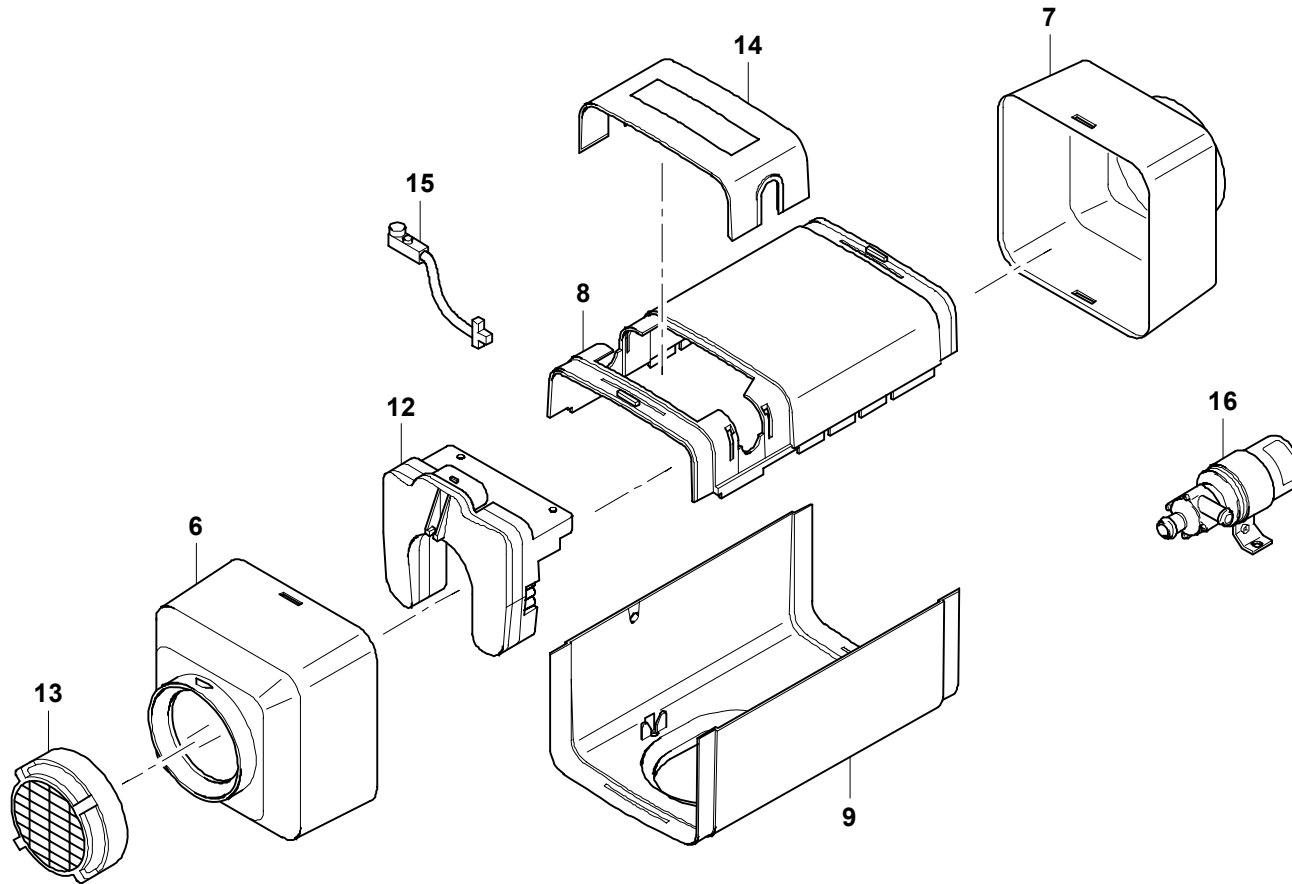


GROVELUFTHEIZGERAET
AIR HEATING DEVICEBILDTADEL
PICTORIAL DISPLAY**GMK 6400**
BE 630
G 237

01.11

3200206-ETL A

1/2



GROVELUFTHEIZGERAET
AIR HEATING DEVICEBILDTADEL
PICTORIAL DISPLAY**GMK 6400**
BE 630
G 237

01.11

3200206-ETL A

2/2

